

# C-Series

## SINGLE POLE TOGGLE SWITCHES

The C-Series single pole compact high current toggle switches are ideal for applications with back panel size constraints. These switches feature self-cleaning contacts and ratings up to 20A 125VAC, 10A 250VAC, 1 1/2 HP 125-250VAC. With a rugged metal construction, these switches figure prominently in markets with stringent current carrying requirements.



### Product Highlights:

- Ratings to 20A 125VAC and 1.5HP 125-250VAC
- Compact size
- Self-cleaning wiping style contacts
- 4 termination choices

### Typical Applications:

- Environmental Controls
- Marine
- Food Service
- Vacuum Cleaners



### Dielectric Strength

1000V - live to dead metal parts and opposite polarity.

### Electrical Life

25,000 cycles

### Operating Temperature

32°F to 185°F (0°C to 85°C)

**CA201 - 73**

<sup>1</sup>  
Base Part Number

<sup>2</sup>  
Actuator Style

**1 BASE PART NUMBER: SERIES / POLES / CIRCUITRY / RATING / TERMINATION**

10A 250VAC, 20A 125VAC, 1 1/2 HP 125-250VAC

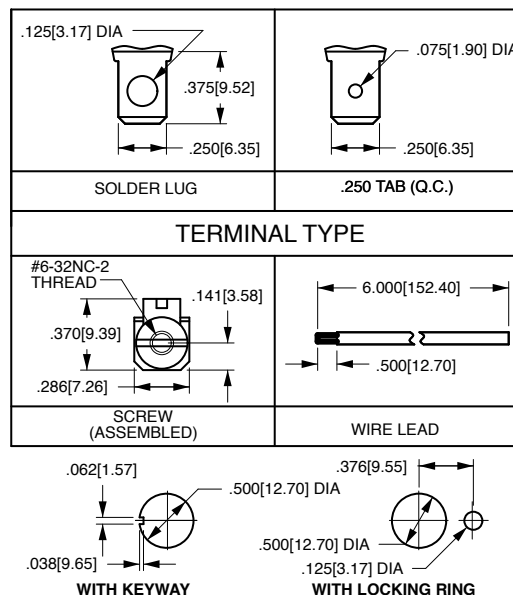
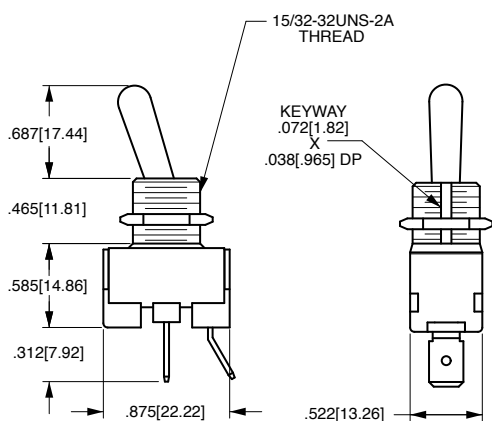
Single Pole	Solder Lug	.250 Tab	Screw Term.	Wire Leads
On-None-Off	CA200	CA201	CA204	CA205
On-None-On	CB200	CB201	CB204	CB205

**2 ACTUATOR STYLE <sup>1</sup>**

BAT	unsealed 73	sealed 78	toggle length 0.687	bushing length 0.465
-----	----------------	--------------	------------------------	-------------------------

Notes:

1 Additional toggle styles available. Consult factory.



\*Manufacturer reserves the right to change product specification without prior notice.